



Cover 2:
Aero Silver

Cover 3:
Puzzle Charcoal

Chrome
Feet

Cover 1:
Arizona Charcoal

Verona Collection

Colours represented are to be used as a guide only.
Please refer to manufacturers swatch for a more accurate colour match.

Please note that colour shadings can vary slightly from each roll of fabric.
We cannot guarantee a precise match to these samples or between cut lengths and upholstered goods.

foamflex™
Award Winning Seating Technology

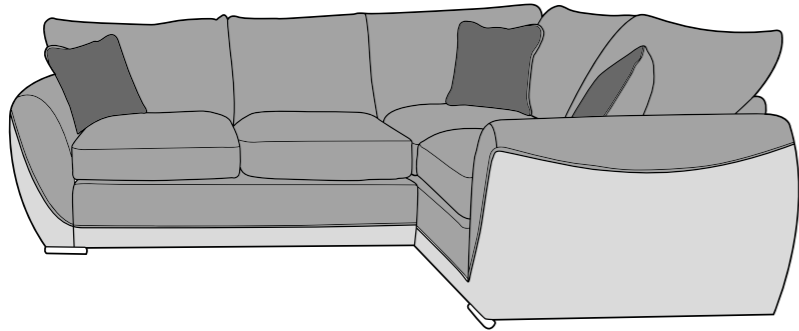
03/11/2020

VERONA COVER GUIDE - STANDARD BACK

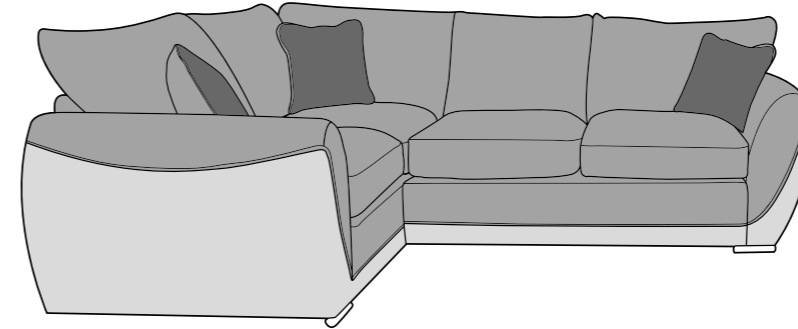
Please use this guide when ordering the following pieces to clarify cover options.

STANDARD BACK

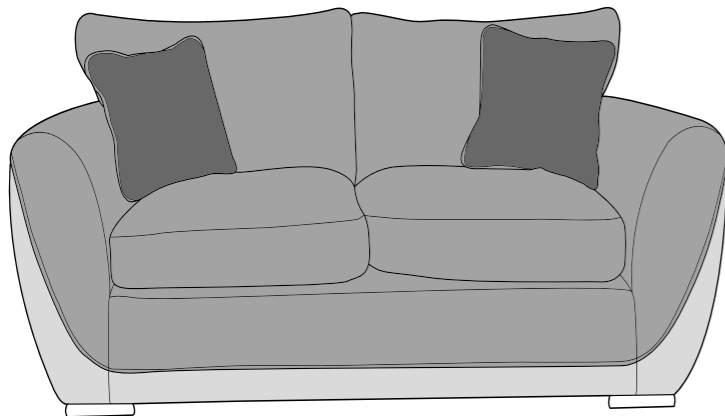
L2, R2C (LH2, R2C) Corner Group



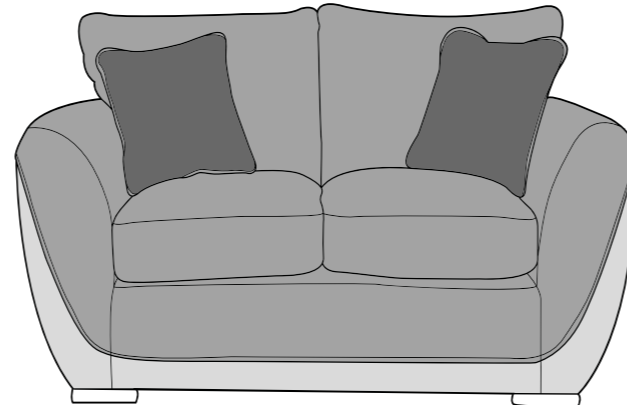
L2C, R2 (L2C, RH2) Corner Group



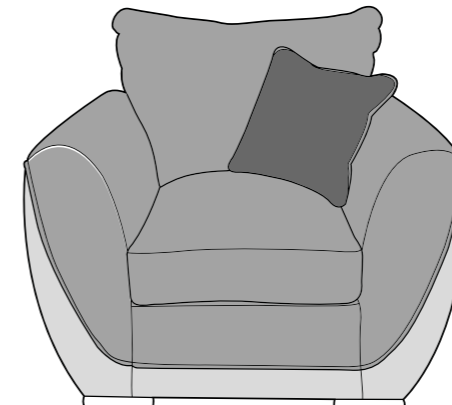
3 Seater sofa (3ST)




2 Seater sofa (2ST)

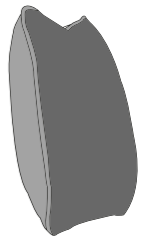


Arm Chair (1ST)



-  **COVER 1**
(OUTER)
-  **COVER 2**
(INNER)
-  **COVER 3**
(SCATTER)

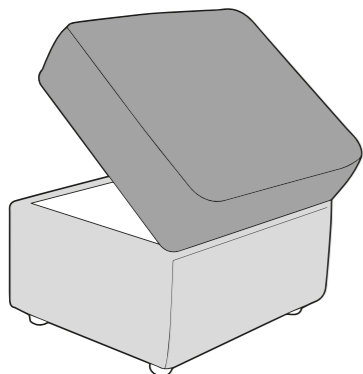
Small Scatter Cushions



Front = Cover 3
Piping = Cover 2
Back = Cover 2

ACCENT PIECES

Storage Footstool



VERONA DIMENSIONS (CM)

AVAILABLE PIECES	HEIGHT 1	WIDTH 2	DEPTH 3	SEAT HEIGHT 4	SEAT DEPTH (STD) 5	SEAT DEPTH (PILLOW) 5	SEAT WIDTH 6	ACCESS DIAGONAL 7	WEIGHT (KG)	PILLOW BACK NO.	SCATTER CUSHION NO.
L2, R2C, P GROUP or R2, L2C, P GROUP	94	261	194	N/A	N/A	N/A	N/A	N/A	N/A	N/A	3
L2/R2 UNIT	94	165	96	50	56	N/A	141	187	42	N/A	1
L2C/R2C UNIT	94	194	96	50	56	N/A	134	212	52	N/A	2
3 SEATER SOFA											
3 SEATER SOFA	94	190	96	50	56	N/A	142	208	50.5	N/A	2
2 SEATER SOFA											
2 SEATER SOFA	94	165	96	50	56	N/A	116	186	46.5	N/A	2
ARM CHAIR											
ARM CHAIR	94	108	96	50	56	N/A	59	140	34.5	N/A	1
ACCENT PIECES											
STORAGE FOOTSTOOL (P)	45	63	50	N/A	N/A	N/A	N/A	75	12.5	N/A	N/A

* Hardwood & composite board frame.

* Dowelled, screwed, glued & stapled joinery.

* Chrome & Wood foot options.

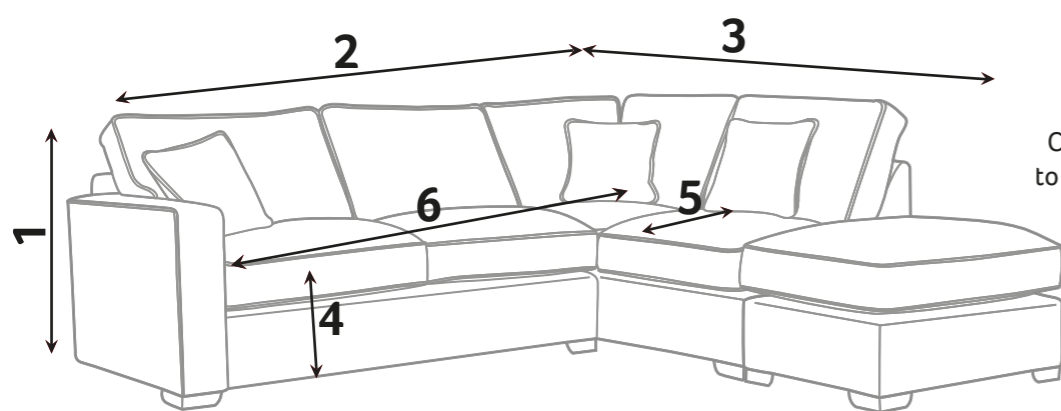
* Award winning foamflex seat interior with 5 year guarantee.

* Fibre Filled backs for added comfort.

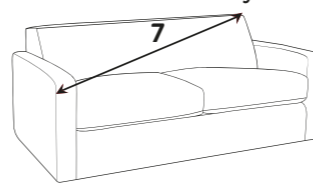
* fibre filled scatter cushions included for added comfort.

* Serpentine seat springs & silent wire.

DIMENSION GUIDE



Check the diagonal access dimension to ensure furniture will fit in your home.



1 - HEIGHT
2 - WIDTH

3 - DEPTH
4 - SEAT HEIGHT

5 - SEAT DEPTH (STD & PILLOW)
6 - SEAT WIDTH

7 - DIAGONAL ACCESS

Illustrations used for reference only.

Please note: All dimensions are approximate. Allow tolerance of +/- 2.5cm.

foamflex™

Our new expertly engineered foam seat interior gives you the comfort of fibre with the retention of foam. Our foamflex seat interiors have been granted the FIRA GOLD Award, a mark of quality under-pinning all necessary testing of the product materials, design and production techniques.

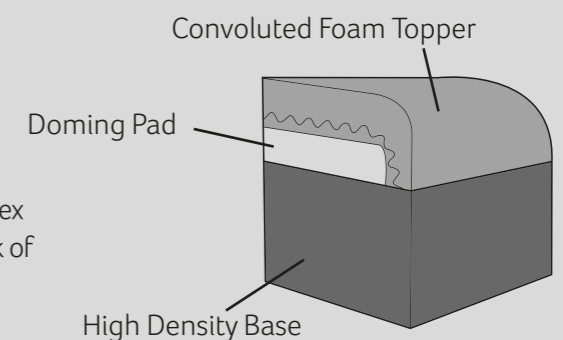
CARE GUIDE

To improve the Longevity of your hand-made furniture, we recommend rotating cushions (where applicable).

For further information on maintaining your furniture, please refer to the Care Guide located under the seat platform.



Our foamflex seat interiors have been granted the FIRA GOLD Award, a mark of quality under-pinning all necessary testing of the product materials, design and production techniques.



Natural (Light)

Brown (dark)

Chrome

FOOT OPTIONS:



Wood is a natural product and will vary in shade/colour from item to item. Feet may require fitting.

